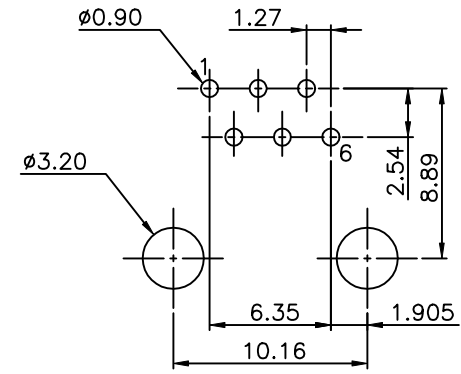
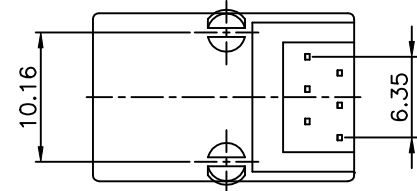
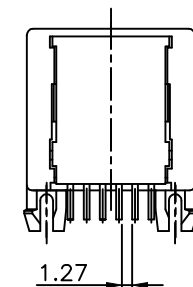
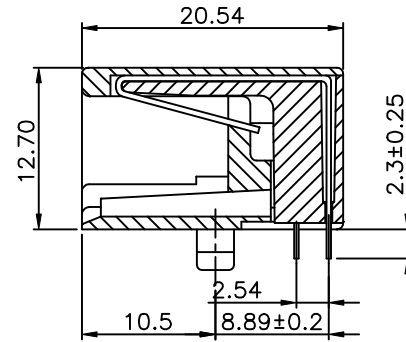
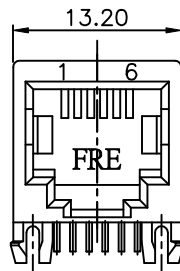


REVISION RECORD				
REV	ECO	DESCRIPTION	DRFT	CHKD



PC Board Layout
Component Side Shown

NOTES:

ELECTRICAL:

1. VOLTAGE RATING : 125 VAC RMS.
2. CURRENT RATING : 1.5 AMP.
3. CONTACT RESISTANCE : 40 MILLIOHMS MAX.
4. INSULATION RESISTANCE: 1000 MEGOHMS MIN @ 500 VDC.
5. DIELECTRIC STRENGTH : 1000 VAC RMS 60Hz, 1MIN.

MECHANICAL:

1. HOUSING MATERIAL : PBT+30%.G.F UL94V-0.
2. CONTACT MATERIAL : PHOSPHOR BRONZE t=0.35mm
3. PLATING : GOLD PLATING OVER NICKEL.
4. OPERATING LIFE : 750 CYCLES MIN.
5. PCB RETENTION PRE-SOLDER : 1 LB MIN.
6. PCB RETENTION POST-SOLDER: 10 LBS MIN.

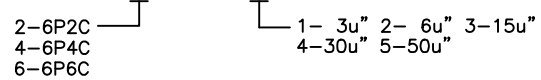
ENVIRONMENTAL:

1. STORAGE : -40°C TO +85°C.
2. OPERATION: 0°C TO 70°C.
3. WAVE SOLDER TEMPERATURE: 230°C ~250°C(3~5 SECONDS)

MATES WITH MODULAR PLUG CONFORMING TO
FCC PART 68, SUBPART F.

CUL FILE NO. E163191

PART NUMBER: E596X-00P04X-L



DETACHED LISTS	MM (INCH)	DFTO Qianpu DATE 5/21/05	FULL RISE ELECTRONIC CO., LTD	
	TOLERANCES EXCEPT AS NOTED	CHKDYICAN DATE 2005/5/21		
	MM	MFO DATE	TITLE 20.57 PCB JACK 6P	
	.0 ±0.20	APPVLSAMMY DATE 2005/5/21		
.00 ±0.15	MATERIAL :	DRAWING NO. GE593080-LC		
.000 ±0.075	ANGLES ±	/PART NO. SEE NOTE		
±	THIRD ANGLE PROJECTION	SCALE : 2.5:1	SIZE A3	REV 0
±		DO NOT SCALE DRAWING	SHEET X	OF Y